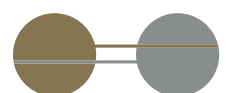


New highly compact actuators – Size is not an indication of performance



Small, but visibly smarter. The WMX 813 and WMX 814 feature advanced technology and versatility in one of the most compact housings in the market



The WMX 813 and WMX 814 were created in response to the market's demand for high-performing and compact window actuators with smart design possibilities.

The WMX 813 integrates into the leading compact window profiles with minimal modifications, providing fresh air to the built environment while maintaining the aesthetics of the facade design.

The WMX 814 is one of the smallest surface actuators available, with the added flexibility of different chain lengths depending on the desired window functionality.

Both feature the same chip and intelligence, allowing them to run silently, while giving the user a high degree of control with MotorLink® and TrueSpeed™ technologies. Good things really do come in small packages.

Details

Both the WMX 813 and WMX 814 are compatible with WindowMaster's MotorLink® technology and TrueSpeed™ technology. MotorLink® allows for position control and feedback, pressure safety and genuine synchronization between linked actuators, combining naturally with control units that enable fieldbus communication with KNX and BACnet. TrueSpeed™, when paired with MotorLink®, will allow the windows to open with millimeter-by-millimeter precision, thereby giving a completely soundless operation.

While MotorLink® provides the possibility of controlling up to 4 actuators in complete synchronization, TrueSpeed™ will ensure harmony between several MotorLink® lines as they run on the exact same speed in the opening and closing of facade windows.

Advantages

Performance

Powerful and versatile.



Size

Small and adaptable. Ideal for concealed natural ventilation and smooth facade designs.



Design

WMX 813 – Anodized and painted black for concealed integration into the smallest sashes and window frames.



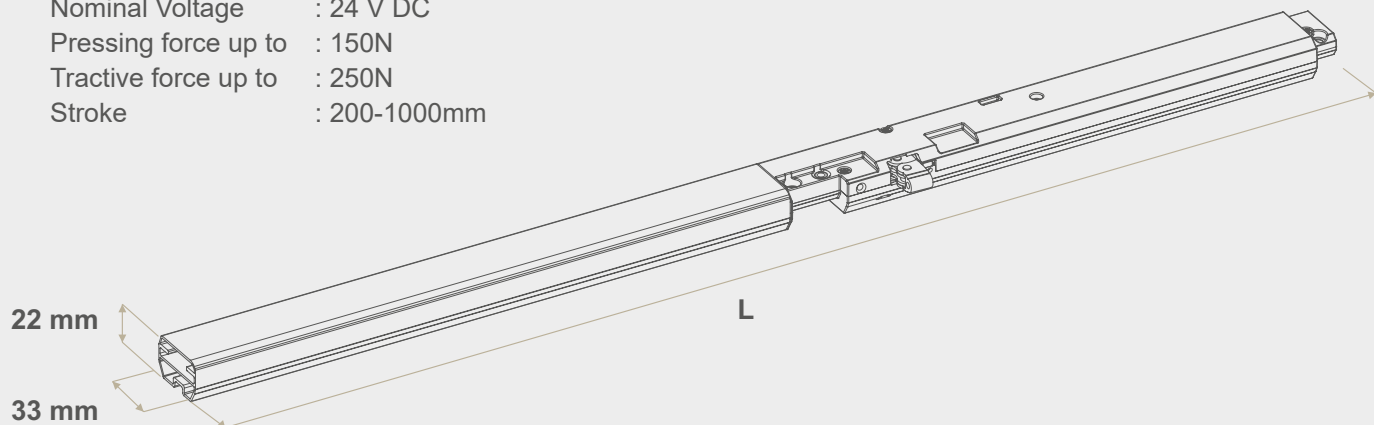
WMX 814 – Anodized black, anodized aluminum, or customizable RAL colors at an additional cost.



At a Glance

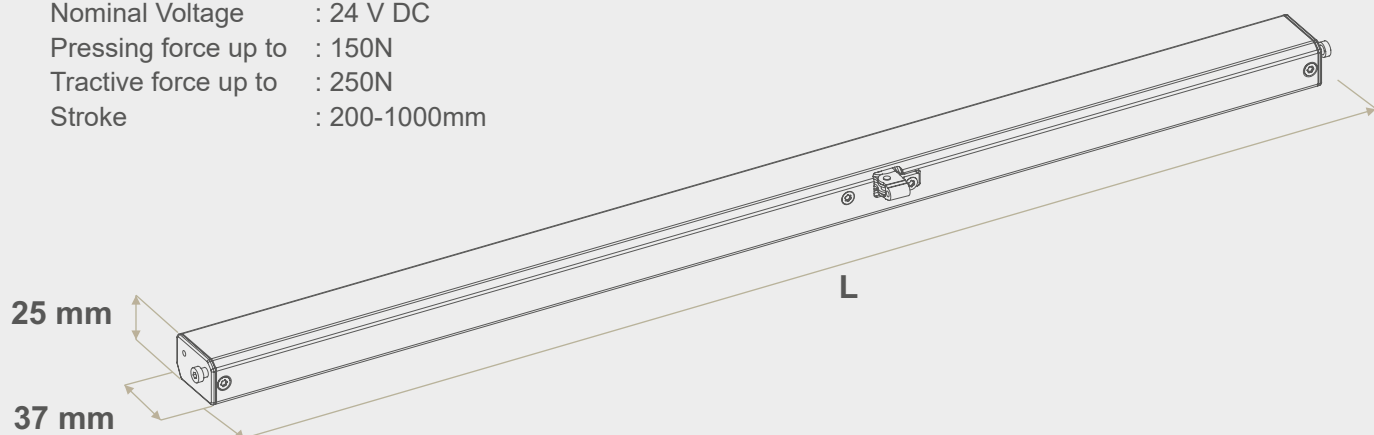
WMX 813

Dimensions	: 22x33mm (HxD), the length depends on the chain length
Nominal Voltage	: 24 V DC
Pressing force up to	: 150N
Tractive force up to	: 250N
Stroke	: 200-1000mm



WMX 814

Dimensions	: 25x37mm (HxD), the length depends on the chain length
Nominal Voltage	: 24 V DC
Pressing force up to	: 150N
Tractive force up to	: 250N
Stroke	: 200-1000mm



WindowMaster aspires to protect people and the environment by creating a healthy and safe indoor climate, automatically ventilating spaces with fresh air through facade and roof windows in commercial buildings. We offer the construction industry foresighted, flexible and intelligent window actuators and control systems for natural ventilation, mixed-mode ventilation and smoke ventilation – of the highest quality.

WindowMaster employs highly experienced cleantech specialists in Denmark, Norway, Germany, United Kingdom, Ireland, Switzerland and United States. In addition, we work with a vast network of certified partners. With our extensive expertise built up since 1990, WindowMaster is ready to help the construction industry meet its green obligations and achieve their architectural and technical ambitions.

windowmaster.com

**WINDOW
Master®**
Fresh Air. Fresh People.