



WMS 309-n Spindle actuator 900N



Natural
ventilation

24V

±24V control



MotorLink®

6.21

Description

- for comfort ventilation
- strong actuator suitable for roof openings
- to be used together with ±24V control units or control units with MotorLink®
- synchronization of up to four window actuators – no need for an external synchronization module”
- genuine position feedback and three speeds when using control unit with MotorLink®”
- soft close function
- the electronics in this actuator can be programmed to suit specific requirements – i.e. pressure- and traction force, stroke, speed/sound level – with the WAT 100 programming box, this is also possible following installation
- built-in electronic load switch-off/end stop
- electronic actuator with micro controller
- the actuator has an integrated reverse function to ensure a prolonged life span of the window gaskets
- easy mounting

Actuator variants

The actuator is available in four different versions: single WMS 309-1, double WMS 309-2, triple WMS 309-3 and quad WMS 309-4.

The actuators are equipped with a patented synchronization function, in which the actuators communicate directly with each other, which ensures the actuators operate at exactly the same speed and position. On large windows up to four actuators can be mounted on the same window – with no need for an external synchronization module.

Opening speeds

Actuators connected to ±24 VDC control units (e.g. WUC) can run with one speed – see the following page for opening speed.

Actuators connected to control units with MotorLink® (e.g. WCC) can run with different speeds:

- automatically control speed – actuators run slowly and almost soundlessly.
- manual control speed – actuators run faster and more audibly.

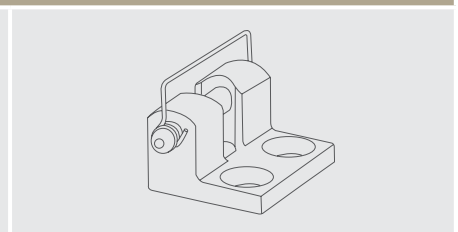
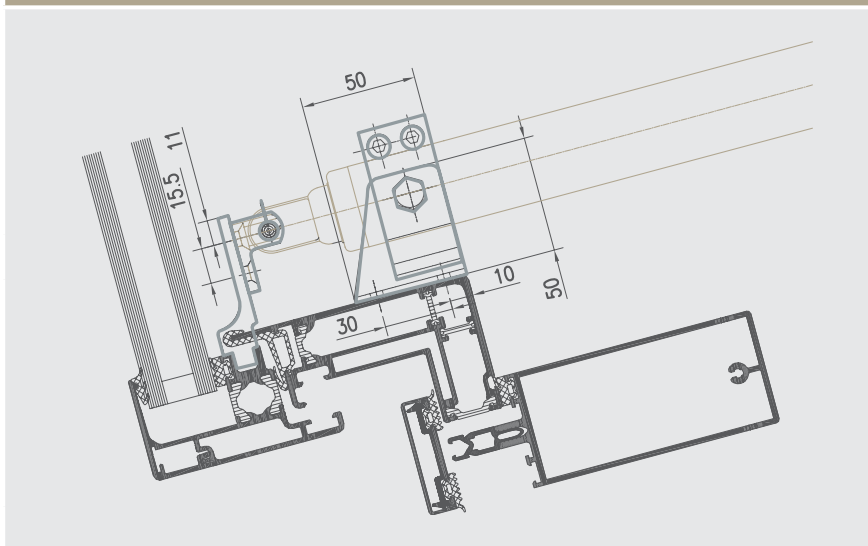
Technical specifications	
Pressure / Tractive force	900N / 900N
Locking force	2800N
Spindle length	300, 500, 750 and 1000mm
Opening speed	5.8mm/s (full load)
Nominal voltage	24V DC (max. 10% ripple)
Voltage	19 - 29 VDC
Open circuit voltage	Max. 32V DC
Current consumption	Max. 1A
Consumption of energy	Max. 24W
Operating conditions	-5°C - +74°C max. 90% relative humidity (not condensing)
Switch on duration	ED 30% (max. 3min. per 10min.)
Material	Aluminium tube
Colour	Natural anodised (EV1), other RAL-colours at additional cost
Size	ø36mm, length depending on spindle stroke – see table
Connection cable	5m grey connection cable in silicon 3-core 0.75mm ² ø7.0mm
Weight	See table
IP rating	IP54 according to EN 50529
Delivery includes	Actuator with 5m connection cable
Note	We reserve the right to make technical changes

Items	Stroke [mm]	Length (L) [mm]	Weight [kg]	Item no.
Single actuator	300	671	1.7	WMS 309-1 0300
	500	871	2.1	WMS 309-1 0500
	750	1121	2.5	WMS 309-1 0750
	1000	1371	3.1	WMS 309-1 1000
Double actuator	300	671	1.7	WMS 309-2 0300
	500	871	2.1	WMS 309-2 0500
	750	1121	2.5	WMS 309-2 0750
	1000	1371	3.1	WMS 309-2 1000
Triple actuator	300	671	1.7	WMS 309-3 0300
	500	871	2.1	WMS 309-3 0500
	750	1121	2.5	WMS 309-3 0750
	1000	1371	3.1	WMS 309-3 1000
Quad actuator	300	671	1.7	WMS 309-4 0300
	500	871	2.1	WMS 309-4 0500
	750	1121	2.5	WMS 309-4 0750
	1000	1371	3.1	WMS 309-4 1000

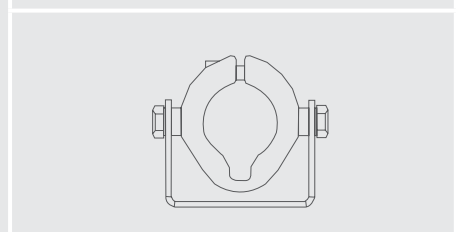
Brackets	Item no.
Actuator bracket with clamping ring – 40mm	WSB 300 0001
Actuator bracket with clamping ring – 73 / 86mm	WSB 300 0002
Actuator bracket with clamping ring – 65mm	WSB 300 0003
Bottom screw	WSB 300 0004
Bracket with bolt and retaining cotter pin	WSB 300 0010
Bracket with fixing bolt	WSB 300 0011
Bracket with pin and retaining bracket	WSB 300 0012

See separate product sheets for further information.

Installation suggestion 1

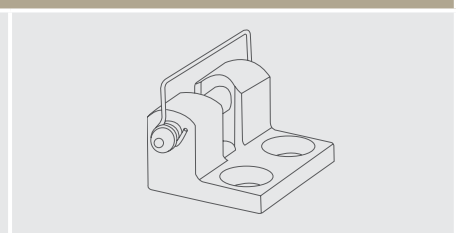
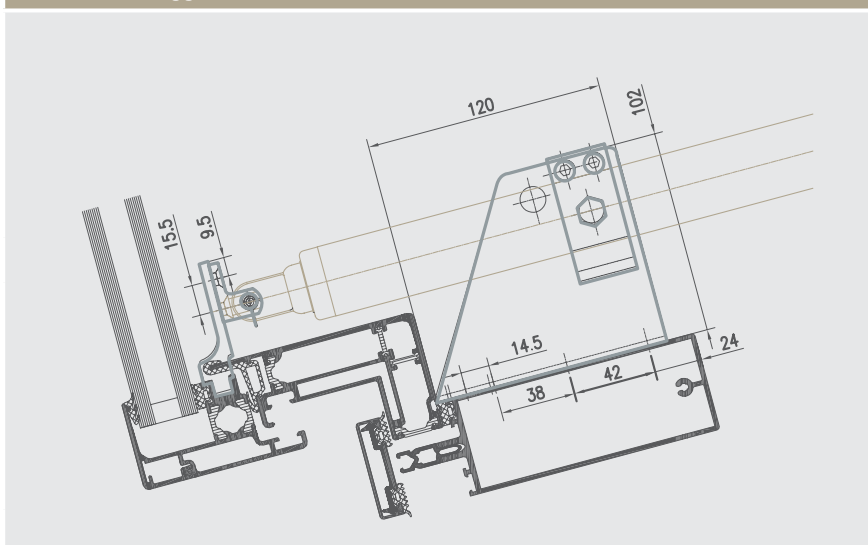


WSB 300 0012

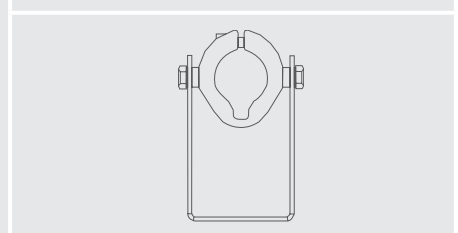


WSB 300 0001

Installation suggestion 2



WSB 300 0012

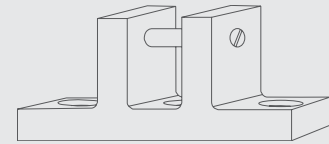
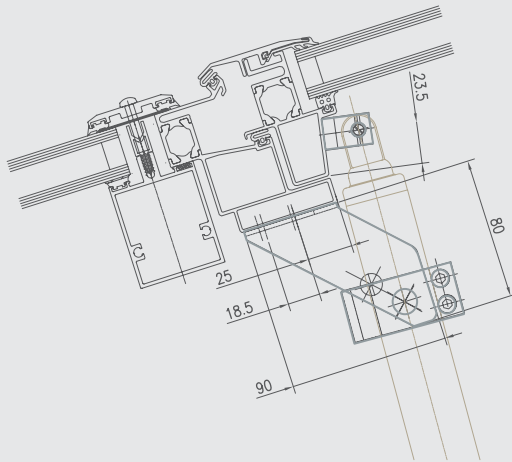


WSB 300 0002

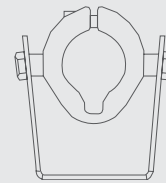
WMS 309-n

Spindle actuator 900N

Installation suggestion 3

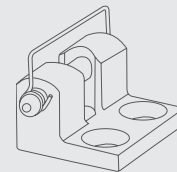
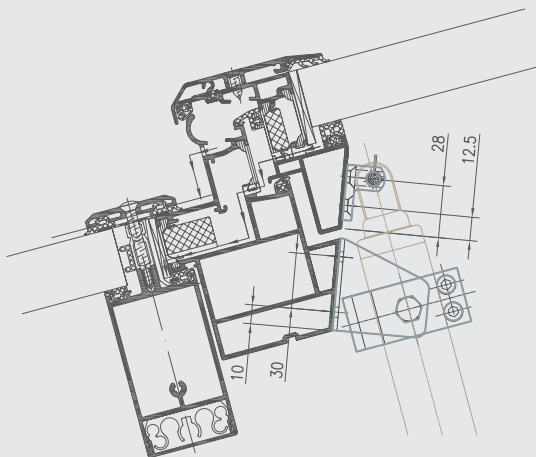


WSB 300 0011

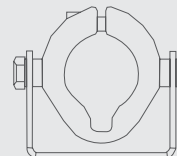


WSB 300 0003

Installation suggestion 4



WSB 300 0012



WSB 300 0001

